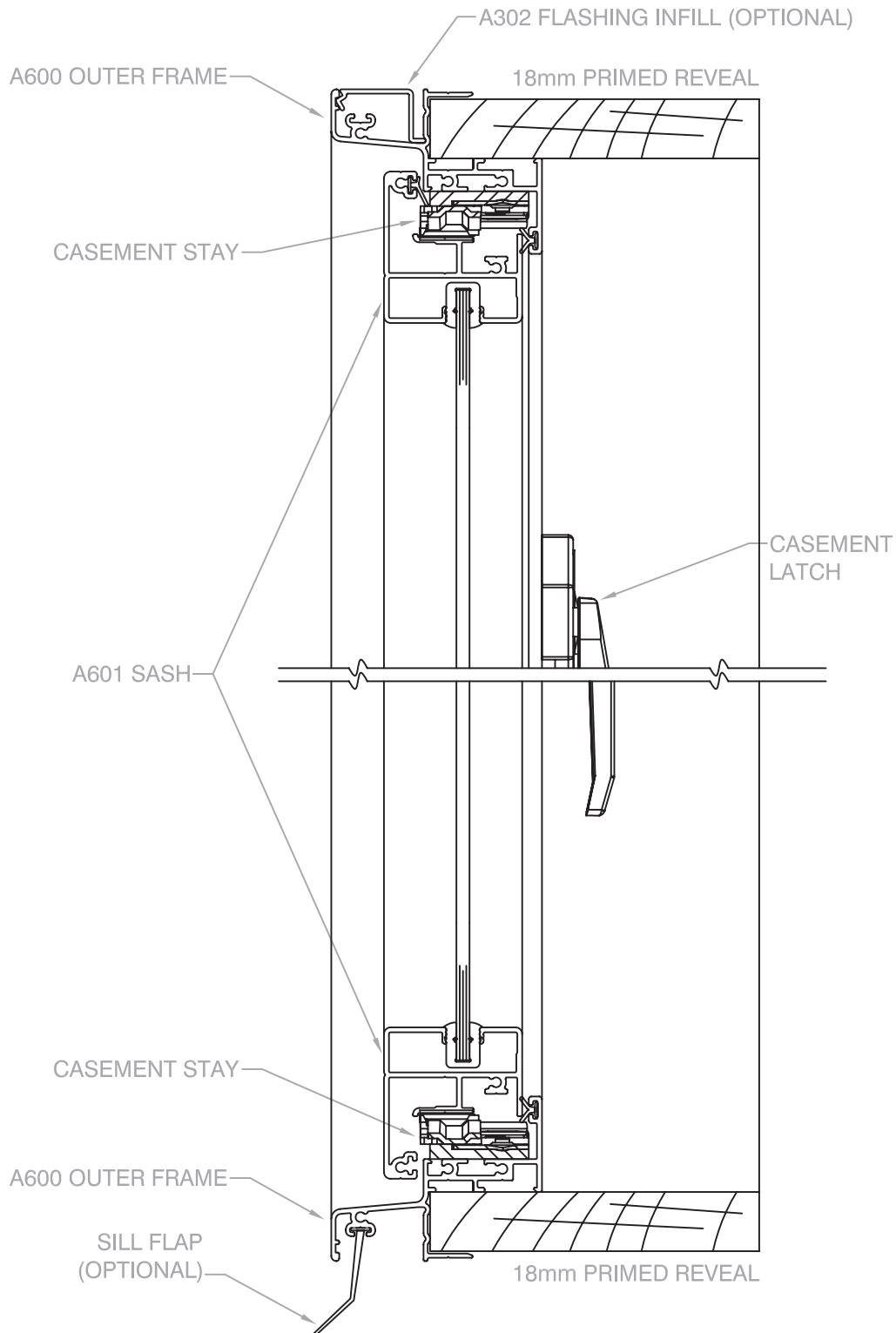


CASEMENT WINDOW

SG SERIES



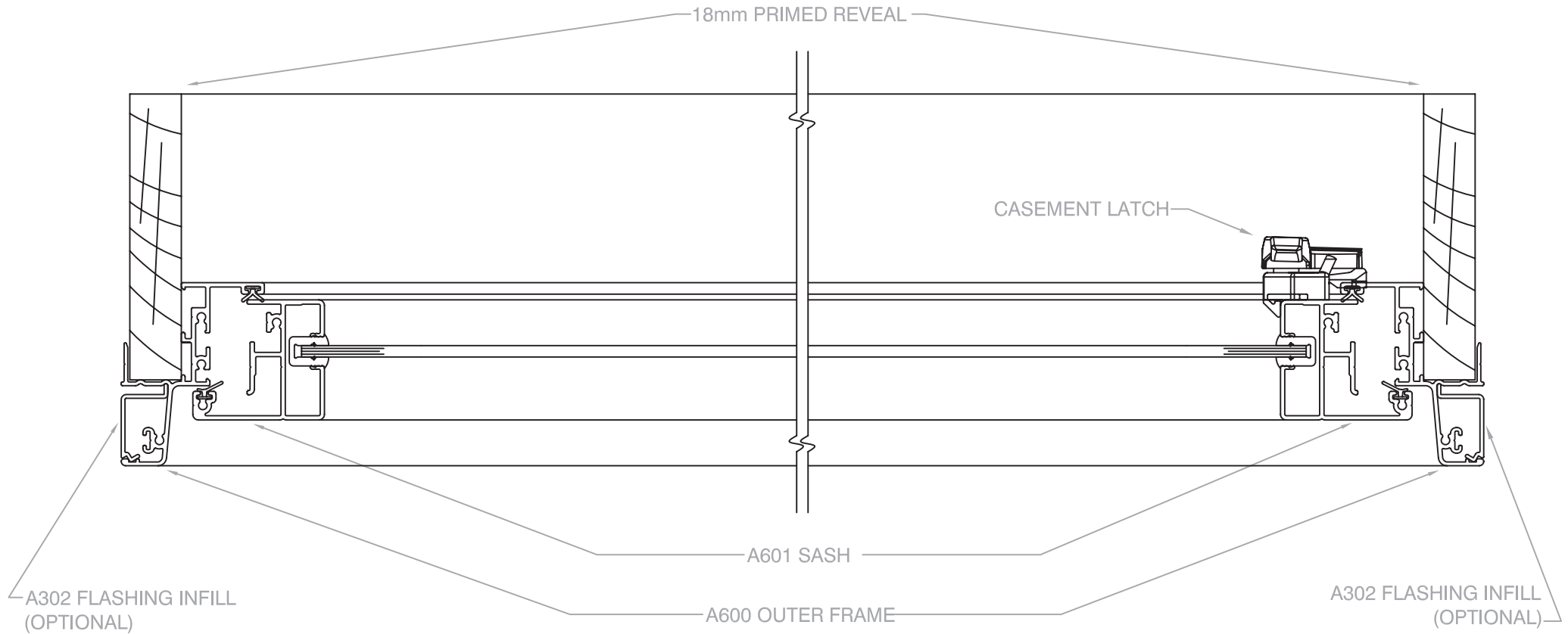
Scale 1 : 2 @ A4, Vertical Cross Section

The intellectual property on this drawing including rights in respect of copyright & patents are owned by Rylock Pty. Ltd. All rights reserved. This drawing expires 31 December, 2014 or earlier. Visit www.rylock.com for most current version

V13.1

CASEMENT WINDOW

SG SERIES



Scale 1 : 2 @ A4, Horizontal Cross Section

The intellectual property on this drawing including rights in respect of copyright & patents are owned by Rylock Pty. Ltd. All rights reserved. This drawing expires 31 December, 2014 or earlier. Visit www.rylock.com for most current version