

BIFOLD DOOR

SG SERIES



'Aria' or 'Summit' handles - in Black or Satin Chrome - are the standard options



Flush-bolts are fitted top & bottom on all fold away panels



A shallow sill profile minimises the threshold between indoor & external flooring levels

SG Series doors accept a wide selection of high performance glass types. These include body & super tints, & a range of laminated glass up to 6.76mm thick

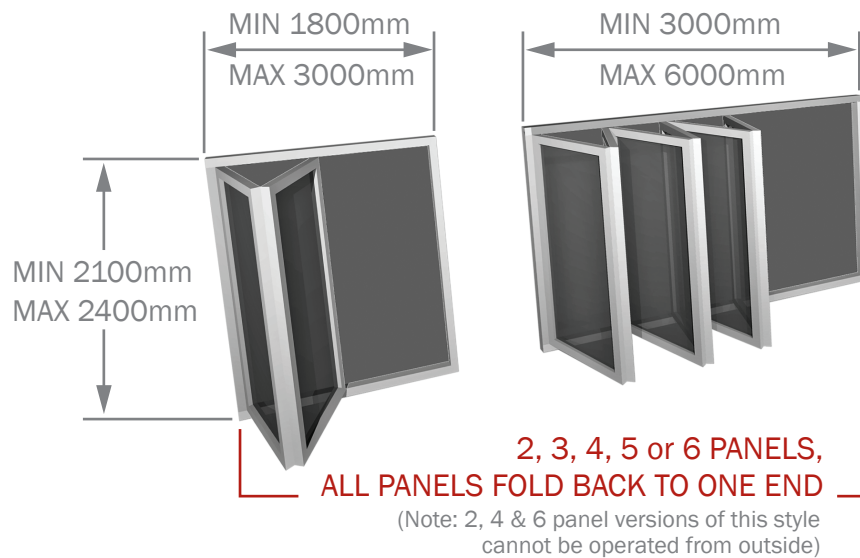
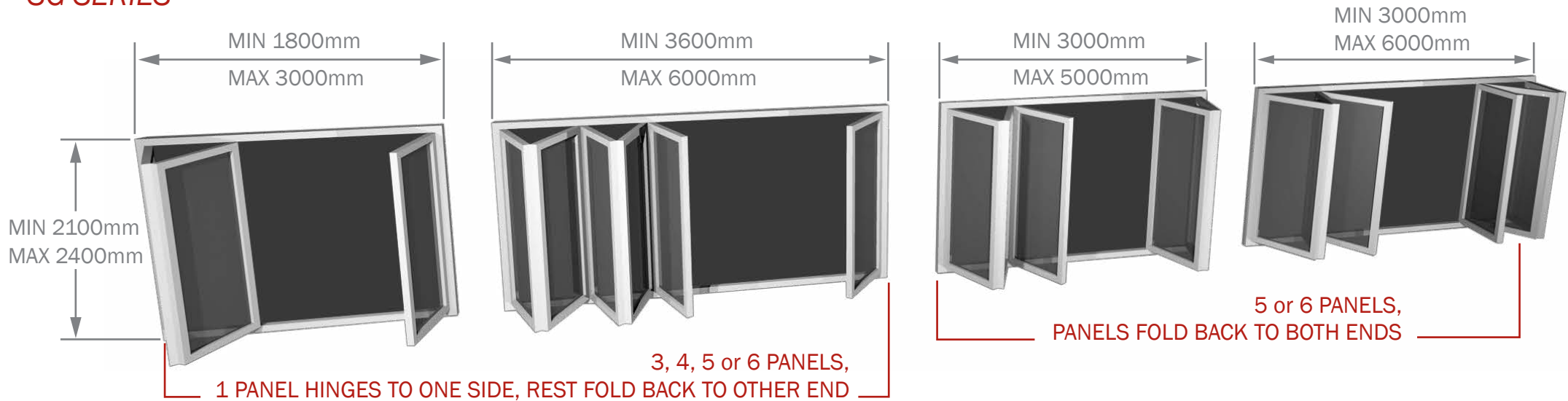
Centor Architectural bottom-rolling carriages ensure the smoothest of operation. With most weight bearing on the sill, overhead works are minimised

A clever silicone seal keeps the bottom carriages isolated from



BIFOLD DOOR

SG SERIES



Sizing

Door style & opening detail should be considered as viewed externally
 Sizes indicated are the overall door size. For Stud openings add 20mm to both height and width

Hardware

Two-Point Lock for master panel, flush mount lock bolts for all other panels
 Centor hardware is finished in brushed stainless-steel. To ensure hardware longevity, please refer to the Centor Maintenance brochure available from your Sales Consultant, or online

Glazing

Glazing strength to minimum N3 rating as per AS4055 - 2006
 Glazing to be grade A safety glass, to a maximum of 6.76mm thick

Certification

A glazing certificate can be supplied upon request

Specify

Frame colour, configuration, height, width & depth
 Optional: handle type & colour, glass type

NOTE: ALL SIZES ARE TYPICAL RATHER THAN DEFINITIVE.
 FOR SIZES OUTSIDE OF THESE (eg: servery window)
 PLEASE TALK WITH YOUR RYLOCK SALES CONSULTANT