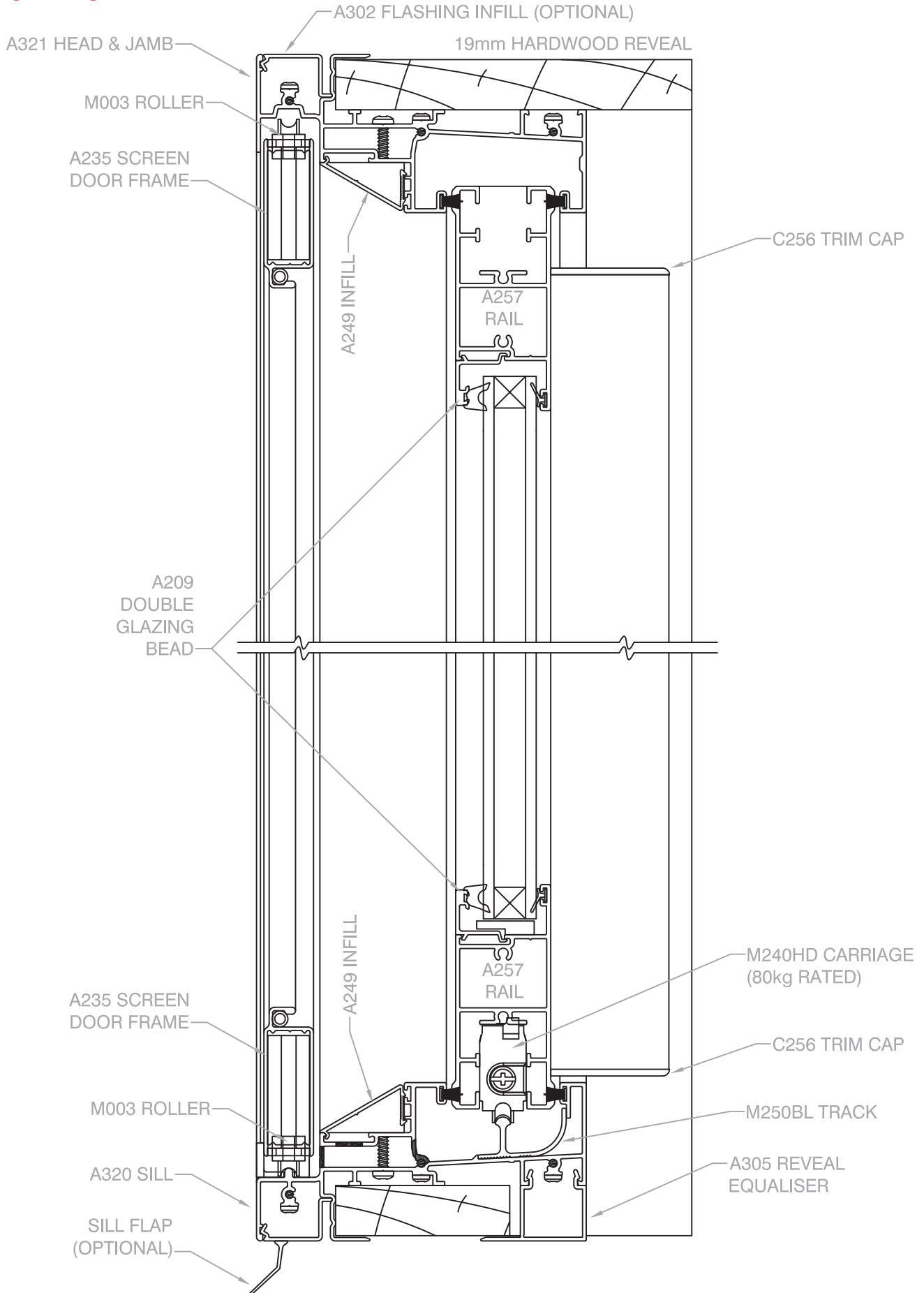


SLIDING DOOR

AA SERIES

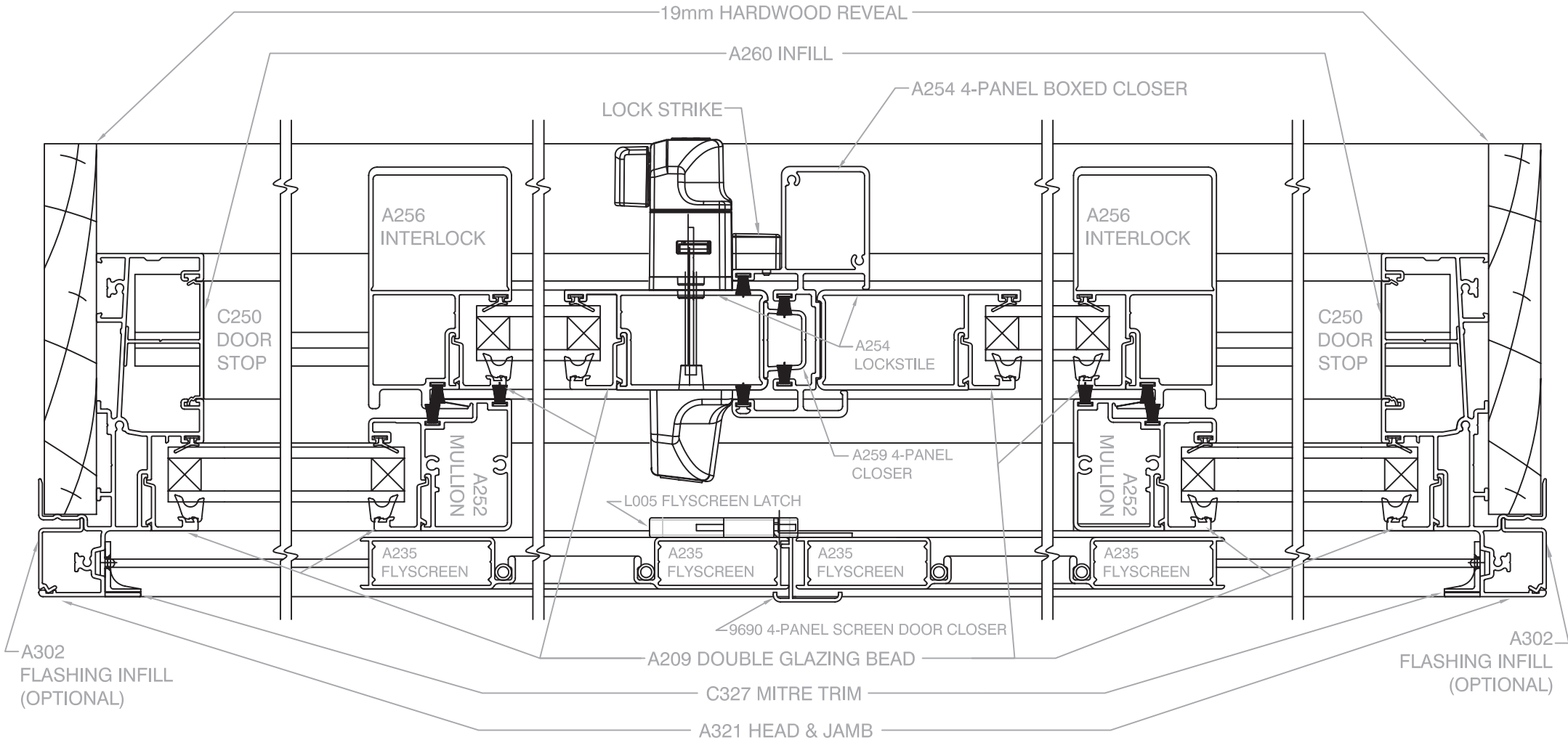


Scale 1 : 2 @ A4, Vertical Cross Section

The intellectual property on this drawing including rights in respect of copyright & patents are owned by Rylock Pty. Ltd. All rights reserved. This drawing expires 31 December, 2015 or earlier. Visit www.rylock.com for most current version

SLIDING DOOR

AA SERIES



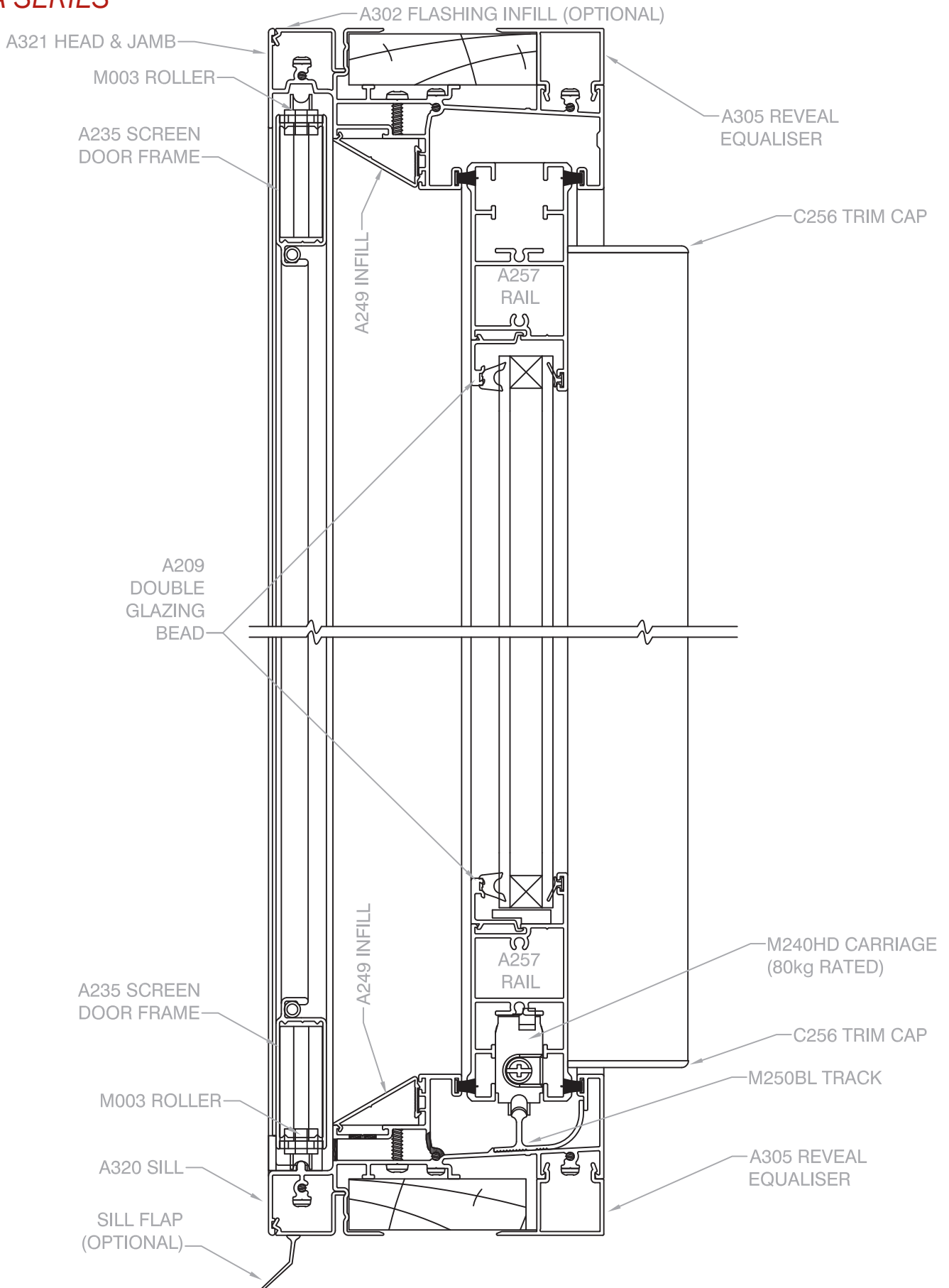
Scale 1 : 2 @ A4, Horizontal Cross Section of 4-Panel Sliding Door

The intellectual property on this drawing including rights in respect of copyright & patents are owned by Rylock Pty. Ltd. All rights reserved. This drawing expires 31 December, 2015 or earlier. Visit www.rylock.com for most current version

SLIDING DOOR

(with Reveal Equaliser)

AA SERIES

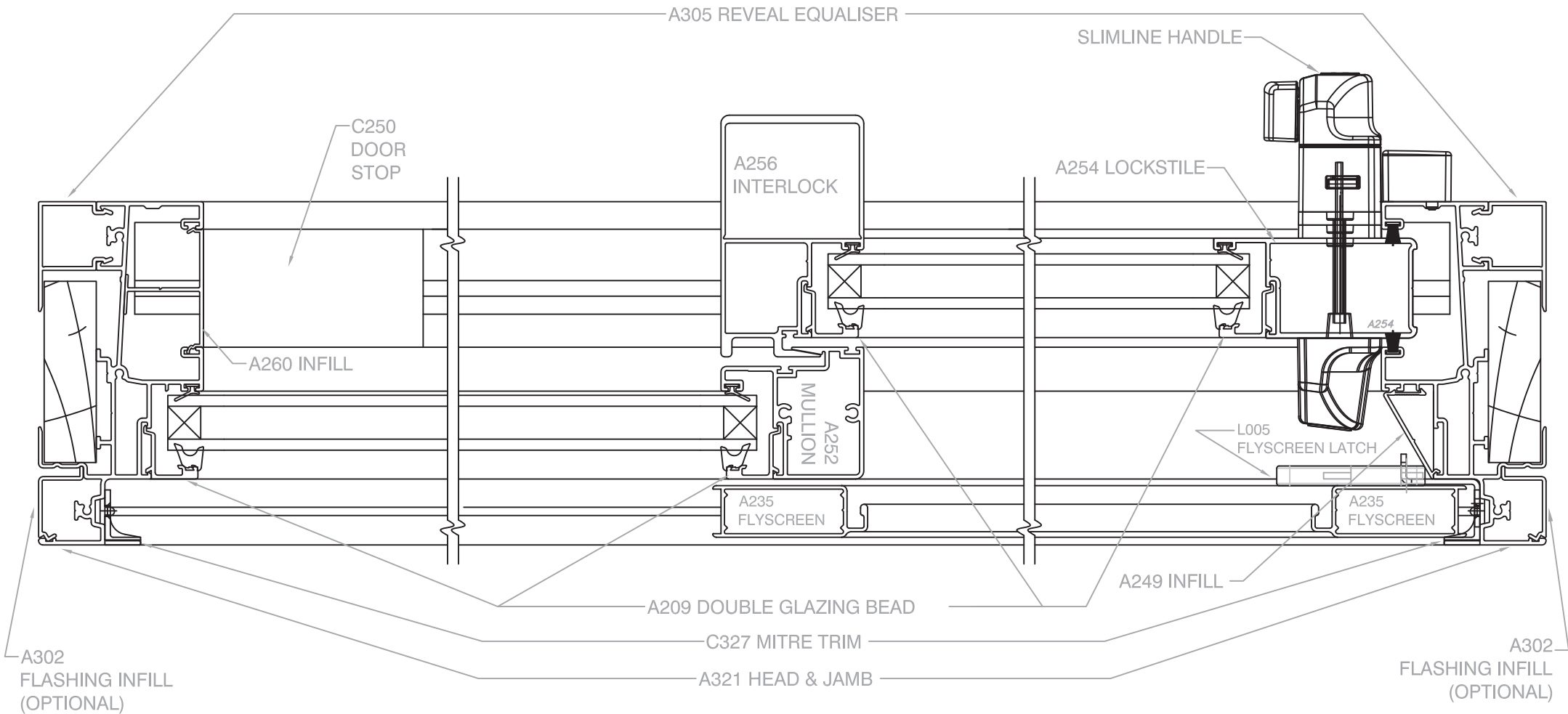


Scale 1 : 2 @ A4, Vertical Cross Section illustrating A305 reveal equaliser

The intellectual property on this drawing including rights in respect of copyright & patents are owned by Rylock Pty. Ltd. All rights reserved. This drawing expires 31 December, 2015 or earlier. Visit www.rylock.com for most current version

SLIDING DOOR (with Reveal Equaliser)

AA SERIES



Scale 1 : 2 @ A4, Horizontal Cross Section of 4-Panel Sliding Door illustrating A305 reveal equaliser

The intellectual property on this drawing including rights in respect of copyright & patents are owned by Rylock Pty. Ltd.
All rights reserved. This drawing expires 31 December, 2015 or earlier. Visit www.rylock.com for most current version