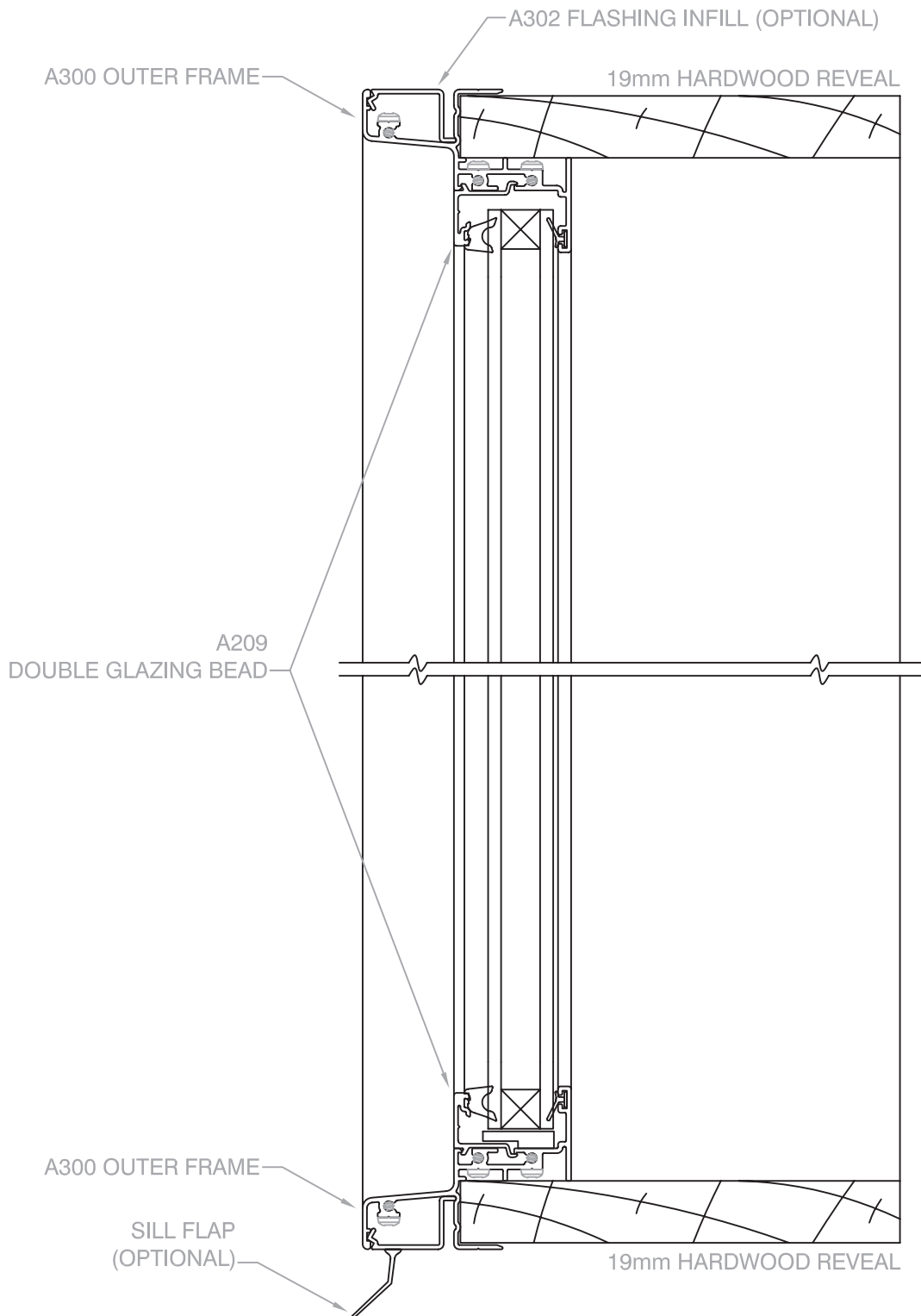


# FIXED LITE WINDOW

AA SERIES

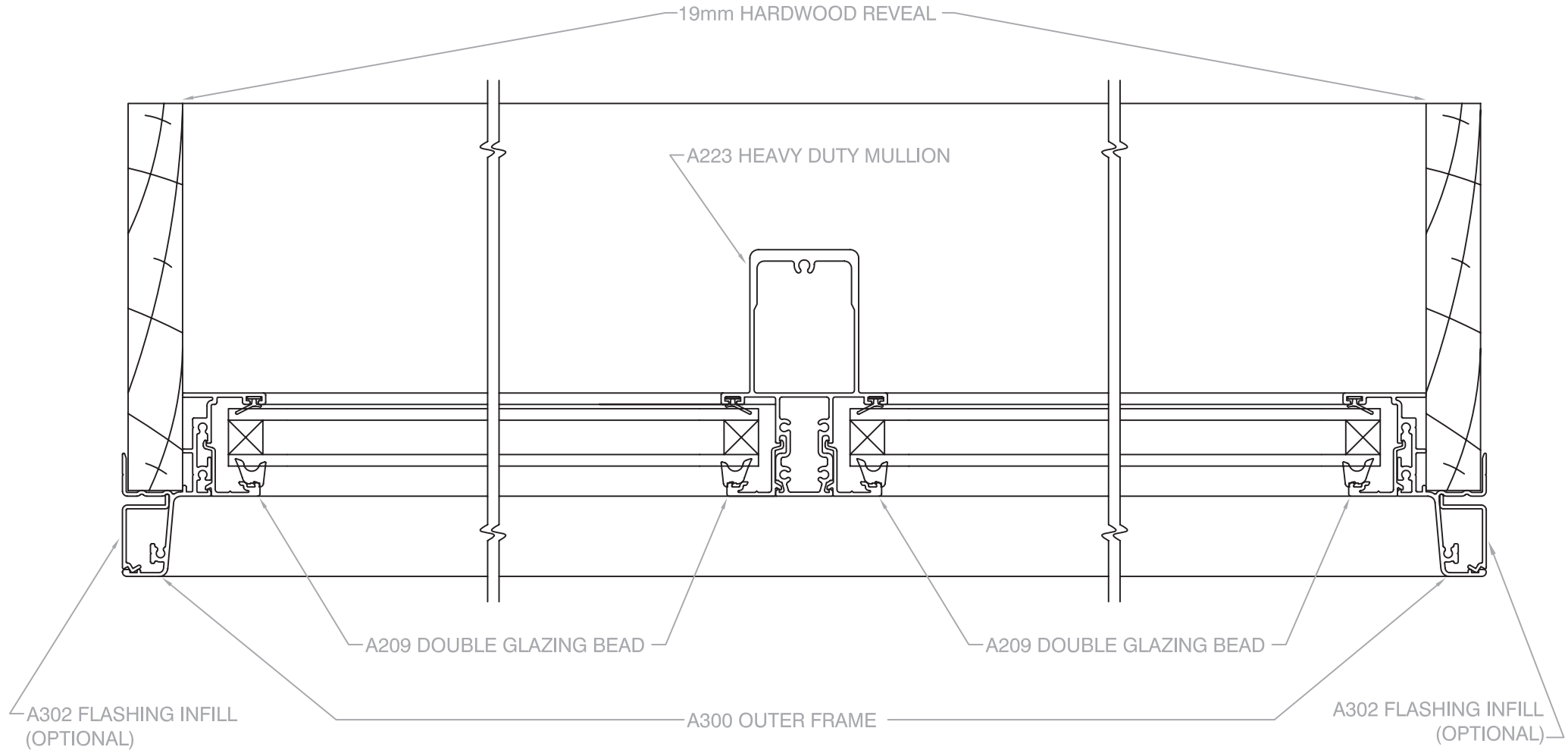


Scale 1 : 2 @ A4, Vertical Cross Section

The intellectual property on this drawing including rights in respect of copyright & patents are owned by Rylock Pty. Ltd. All rights reserved. This drawing expires 31 December, 2013 or earlier. Visit [www.rylock.com](http://www.rylock.com) for most current version

# FIXED LITE WINDOW

AA SERIES



Scale 1 : 2 @ A4, Horizontal Cross Section

The intellectual property on this drawing including rights in respect of copyright & patents are owned by Rylock Pty. Ltd. All rights reserved. This drawing expires 31 December, 2013 or earlier. Visit [www.rylock.com](http://www.rylock.com) for most current version